



PENNSYLVANIA
PETROLEUM
ASSOCIATION

Marketers of all fuels and energy

PLACARDS, DECALS & MERCHANDISE

Catalog and Order Form

Let PPA Supply Your Needs

This replaces all previous decal order forms.
All prices subject to change without notice.

911B South Eisenhower Boulevard Middletown, PA 17057-5504

Revised 05/2018

www.papetroleum.org

PLACARDS

DOT regulations require tank wagons and transports to post designated placards on all four sides.

1 - 39 \$3.50 each
40 - 79 \$3.25 each
80 - up \$3.00 each
 For items D-1 to D-4

D-1

10³/₄" x 10³/₄"



Gasoline
(Intrastate - Interstate)

D-2

10³/₄" x 10³/₄"



Fuel Oil
(Intrastate Use)

D-3

10³/₄" x 10³/₄"



Fuel Oil/Diesel
(Intrastate - Interstate Use)

D-4

10³/₄" x 10³/₄"



Kerosene
(Intrastate - Interstate Use)

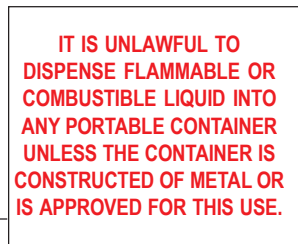
D-5



6" x 12"

\$1.95 each

D-6



10" x 12"

Required on every pump island.

\$2.25 each

D-7



4" x 13¹/₂"

\$2.25 each

D-8



4" x 13¹/₂"

\$2.25 each

Item Number

D-9

SUPER UNLEADED

\$1.95 each

4" x 13¹/₂"

D-10

TURN OFF MOTOR

\$1.95 each

3" x 6"

D-11

NO SMOKING

\$1.95 each

2" x 9"

D-12

THIS VEHICLE STOPS AT RAILROAD CROSSINGS

\$5.95 each

3" x 38"

**UNDYED
UNTAXED
KEROSENE
NONTAX-
ABLE
USE ONLY**

D-13

**DYED
KEROSENE
NONTAX-
ABLE
USE ONLY
PENALTY
FOR
TAXABLE
USE**

D-14

\$1.25 each

3" x 5"

(These decals are mandatory on your kerosene dispensers.)

SKID TANKS

Regulations require all skid tanks (farm, commercial, mining or transit operations) to be conspicuously marked in letters not less than 3" high with the name of the product they contain and the wording, "Inflammable - Keep 40 ft. From Buildings."

D-15

KEROSENE

\$1.95 each

3¹/₂" x 15"

D-16

GASOLINE

\$1.95 each

3¹/₂" x 15"

D-17

DIESEL

\$1.95 each

3¹/₂" x 15"

D-18

**INFLAMMABLE
KEEP 40 FT.
FROM BUILDINGS**

\$2.95 each

8" x 15"

Item
Number

DYED DIESEL TANK DECAL

The tank decal complies with the legal standards for sales of high-sulfur diesel fuel. The IRS also recommends that all customer tanks be labeled.

D-19

5 1/2" x 9 1/2"

\$3.50 each

**THIS TANK
CONTAINS
DIESEL FUEL
FOR OFF
HIGHWAY
USE ONLY**

**NOT LEGAL FOR
MOTOR VEHICLE USE**

DYED DIESEL PUMP DECAL

The pump decal complies with IRS regulations to label dyed fuel destined for nontaxable use and with EPA regulations to differentiate fuel that is legal or not legal for highway use. This decal is required by the IRS to be on all pumps of dyed, high-sulfur diesel fuel.

D-20

5 1/2" x 9 1/2"

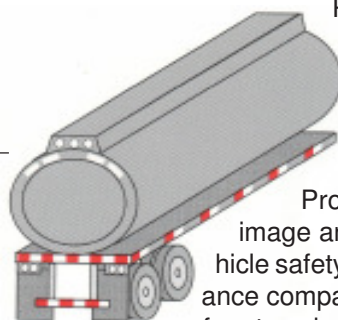
\$3.50 each

**THIS PUMP
DISPENSES
DYED DIESEL
FUEL,
NONTAXABLE
USE ONLY,
PENALTY FOR
TAXABLE USE**

**OFF HIGHWAY/NOT LEGAL
FOR MOTOR VEHICLE USE**

CONSPICUITY STRIPING

D-23



Prismatic **reflective** Scotchlite with 900 candlepower in red/white patterns. Supplied in 2" x 150' rolls.

Project a better company image and maximize overall vehicle safety. Check with your insurance company about the possibility of a rate reduction for using conspicuity striping on your vehicles.

\$154.00 per roll

DRIVE OFF DECAL

D-21



\$1.00 each

Drive Off Decals for your motor fuels dispensers and storefront doors or glass. These decals are specific to Pennsylvania. They are full color and made of high quality materials, including an ultra-violet protection laminate. The decals are 4" x 6" in size.

Item
Number

F.T.C. CERTIFICATION AND MINIMUM OCTANE RATING LABELS

\$.75 each

D-25	- 87
D-26	- 89
D-27	- 92
D-28	- 93
D-29	- 94



3" x 2 1/2"

Yellow vinyl, screen-
printed black and laminated

Item
Number

FLAMMABLE AND COMBUSTIBLE LIQUIDS REGULATIONS

DEPARTMENT OF
LABOR AND
INDUSTRY
COMMONWEALTH OF
PENNSYLVANIA

B-30

N/C



PETROLEUM MARKETING EMPLOYEE "RIGHT TO KNOW" INFORMATIONAL BROCHURE

\$.50 each

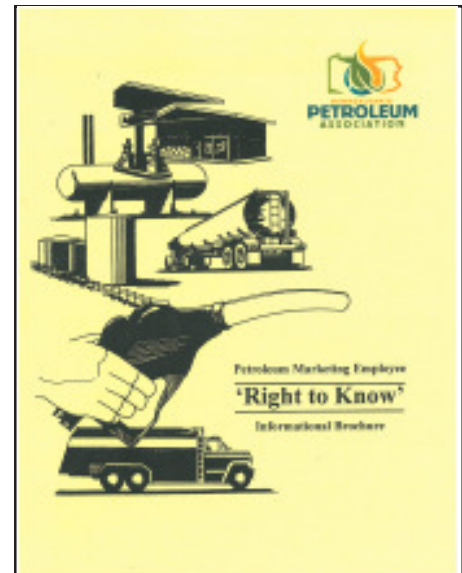
B-31

Under the SARA Title III program of federal and state "Right to Know" regulations, each company is required to train and provide information on OSHA health standards to employees.

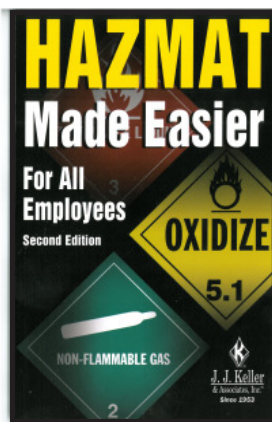
As part of the required training sessions, PPMCSA has developed the Petroleum Marketing Employee "Right to Know" Informational Brochure, which covers the "Basic Guidelines to Potentially Hazardous Materials," for distribution to each of your employees. Training can be conducted at meetings discussing the hazards of the products you handle and the methods of personal safety.

This brochure is a starting point in your training program. After each employee reads it thoroughly, have them sign and date the coupon, and file it in your "Right to Know" training file. Please note: All new employees must be provided with this type of brochure, so order extra copies.

Remember, "Right to Know" training is required by law, so keep company records of all training meetings.



B-32



HAZMAT MADE EASIER HANDBOOK

\$4.75 each

This all-new handbook gives your employees a basic overview of key hazmat requirements without overloading them with details and hard-to-understand terminology. It takes a very simple approach, using large type, plain English and lots of full-color illustrations.

Use it to help your employees more easily understand their responsibilities when handling, shipping, and transporting hazardous materials.

There is even a section on hazmat security which includes recommended practices.

**Item
Number**

**PA MOTOR CARRIER SAFETY DIVISION
REGULATIONS FORMS**

B-33 US DOT FMCSA Form MCSA-5875
Driver's Medical Examination Report Form
US DOT FMCSA Form MCSA-5876
Driver's Medical Examiner's Certificate **N/C**

B-34 Driver's Application for Employment **N/C**

BOOKS/MANUALS/BROCHURES

B-35 PMPA (Petroleum Marketing Practices Act) **N/C**

B-36 NFPA 31 Standard for the Installation of
Oil-Burning Equipment **Call PPA for Price**

B-37 Efficient Oilheat, An Energy
Conservation Guide
(Gold Technician Manual) **Call PPA for Price**

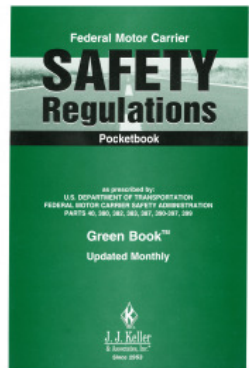
B-38 Oil Heat Technician's Manual
(Silver/Bronze) **Call PPA for Price**



**FEDERAL MOTOR CARRIER
SAFETY REGULATIONS
POCKETBOOK**

Federal regulations require that every distributor have a copy in their office.

B-39 **\$5.25 each**

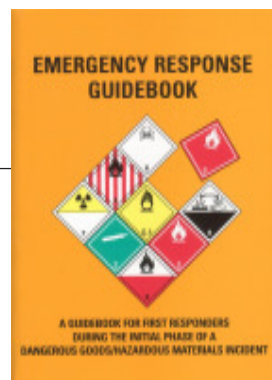


You'll find this pocketbook convenient and helpful in meeting DOT safety compliance requirements. Its sections and sub-sections are highlighted in bold type in a format that makes information quick and easy to find. It covers many vital areas and contains the Federal Motor Carrier Safety Regulations of the DOT, including Part 399-Employee Safety and Health Standards and a 7-page list of Schedule I drugs and other substances.

**EMERGENCY RESPONSE
GUIDEBOOK**

\$4.00 each

B-40



Regulations adopted by the Department of Transportation require an Emergency Response notification and telephone number as listed in 49 CFR, Part 172, effective **December 31, 1990**. This ruling applies to vehicles transporting gasoline, fuel oil and any hazardous materials in interstate or intrastate commerce.

One of the requirements that must be met is that every **bulk plant or terminal** be equipped with the Emergency Response Guidebook **OR** information from it applying to the products handled. Also, some major oil company terminals are requiring the guidebook in vehicles to be loaded.

Item Number

MCSO DRIVER VEHICLE CONDITION REPORT

B-41

CARRIER	
ADDRESS	
DRIVER'S VEHICLE CONDITION REPORT	
DATE	EQUIP. NO.
AFTER TRIP	REPAIRS OR ADJUSTMENTS NEEDED AT END OF TRIP
Brakes - Service	
Brakes - Hand	
Steering	
Windshield Wipers	
Defroster	
Horn	
R.V. Mirrors	
Engine	
Clutch	
Drive Line	
Transmission	
Exhaust	
Speedometer	
Tires & Wheels	
Lights	
Reflectors	
Trailer Connections	
Cooling System	
Fuel System	
Battery	
Emergency Equipment	
Fire Extinguisher	
Placards	
Check each item	
OK	
Signature	Driver's Signature After Trip
Signature	Date Repairs Completed
Signature	Signature of Shop Foreman or Mechanic
Signature	Driver's Signature After Repairs

Must be submitted at the completion of day or tour of duty by the driver of the vehicle. The driver must list any deficiencies or defects discovered by him which would be likely to affect the safety of the vehicle's operation or cause a breakdown. If none - so state. Reports shall be maintained by the motor carrier for a least 3 months.

4" x 9" - 100 per pad
Minimum order - 5 pads

5 - 25 pads \$2.50 each
26 - 50 pads \$2.40 each
51 - up pads \$2.30 each

VINYL PVC GLOVES

G-43A 12" Slip-on gloves are jersey-lined black with grip-coating. Ideal for gasoline drivers.

\$45.00 per dozen

G-43B 14" same as above.

\$53.00 per dozen

ACCIDENT REPORT KIT

K-44

\$1.85 each

For interstate and intrastate drivers ... step-by-step procedures and instructions for drivers to get the right information, talk only to the right people and protect themselves and the company from civil and criminal liability. Practical and convenient - printed on heavy stock for ease of recording.



Item Number

MCSO MAINTENANCE RECORDING & FILING FORM

(Inside Portion of 119-F File Folder Pictured)

B-42

MONTH	JAN	FEB	MAR	APR	MAY	JUN	JULY	AUG	SEPT	OCT	NOV	DEC
NAME	DATE IN SERVICE											
VEHICLE SERIAL NO.	MAINTENANCE AND REPAIR RECORD FOR AUTOMATIC MAINTENANCE SCHEDULING SYSTEM											
ENGINE SERIAL NO.	WORK CODES											
TRANS. TYPE & NO.	A - ADJUST											
DIFF. TYPE & NO.	B - REPLACE											
TIRE SIZE	C - CLEAN											
	D - INSPECT											
	E - LUBRICATE											
	F - OIL CHANGE											
	G - TIRE ROTATE											
	H - TIRE REPLACE											
	I - TIRE BALANCE											
	J - TIRE ALIGN											
	K - TIRE PATCH											
	L - TIRE REPAIR											
	M - VOID											
TRAINER	EXPLAIN BELOW AS COMPLETELY AS POSSIBLE THE WORK PERFORMED AND ALL COMPONENTS OF PARTS REPAIRED OR REPLACED. USE MORE THAN ONE LINE IF NECESSARY.											
DATE	RELEASE	MAINT. COST	REPAIR COST	TOTAL COST								

Manila file folder for permanent recording of all preventive maintenance services, repairs, modifications, mileage and costs. These folders are ideal for holding all receipts, repair orders, invoices, etc. Easy-to-use format means these folders can be used in most existing systems without changing procedures. Features "Exclusive Automatic Maintenance Scheduling System."

1 - 25 folders \$1.50 each
26 - 50 folders \$1.40 each
51 - up folders \$1.25 each

EMERGENCY SPILL RESPONSE KIT

When those spills occur, you'll be ready with an Emergency Spill Response Kit.

K-45



This lightweight, easy to transport kit is packed in a 24" x 24" resealable poly bag.

Kit Includes:
3 - Universal Absorbent Socks (3"x48")
20 - Oil Absorbent Pads (17"x19")
1 tube - Drum Repair Epoxy Putty
1 pair - Nitrile, Chemical-Resistant Gloves
1 pair - Vinyl Gloves
1 pair - Goggles
1 - Extra Heavy Duty Disposal Bag

In compliance with the federal EPA regulations, which state that each truck which displays a hazardous placard \diamond - MUST have an emergency spill prevention containment cleanup kit aboard, through your association, we have arranged to secure a plastic, zippered kit. This kit can be placed behind the driver or passenger seat for easy storage. Shown above is the kit and the items it contains.

\$38.00 each

ORDER FORM

PPA
P. O. Box 68
Highspire, PA 17034-0068

(717) 939-1781
(717) 939-2015 Fax
www.papetroleum.org



Marketers of all fuels and energy

Please ship the following:

QUANTITY	ITEM NUMBER	ITEM NAME	PRICE	TOTAL

COMPANY _____
(If subsidiary or branch of member, print parent company below.)

UPSADDRESS _____

CITY _____

STATE _____ ZIP _____

AUTHORIZED BY _____

TITLE _____

E-MAIL _____

PHONE _____

Please check method of payment below:

- Check enclosed payable to PPA
- Charge my credit card
 - Visa Mastercard Discover

Acct. No. _____

Exp. Date _____ Sec. Code (# on back of card) _____

Cardholder's Name _____

Please Print

Signature _____



Subtotal \$ _____
25% Non-Member Surcharge \$ _____
Subtotal \$ _____
* Shipping/Handling Charges \$ _____
Subtotal \$ _____
6% PA Sales Tax \$ _____
Total \$ _____

* Sales Tax is required on shipping and handling charges as well as merchandise.

* SHIPPING/HANDLING CHARGE CHART		
If the total of your purchase is . . .	Placards, Decals, Labels... Your shipping and handling charge is . . .	Brochures, Books, Pads, Folders, Gloves, Kits... Your shipping and handling charge is . . .
Up to \$9.99	\$7.00	\$9.00
\$10.00 to \$19.99	\$7.50	\$9.50
\$20.00 to \$29.99	\$8.00	\$10.00
\$30.00 to \$39.99	\$8.50	\$10.50
\$40.00 to \$49.99	\$10.00	\$12.00
\$50.00 to \$75.00	\$10.50	\$12.50
\$75.01 and Up	\$11.00	\$13.00